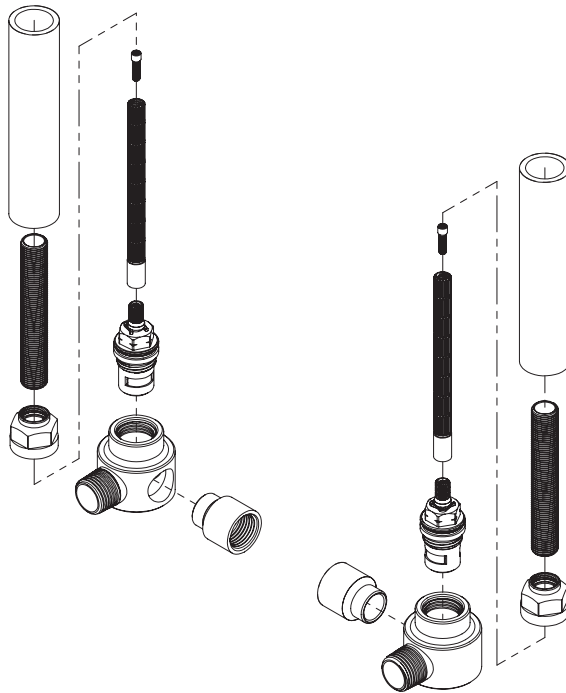


---

# PHYLTRICH®

Defining Luxury Since 1959



---

## INSTALLATION INSTRUCTIONS FOR

**8090536RC**  
**80951PHY**

# INSTALLATION INSTRUCTIONS FOR

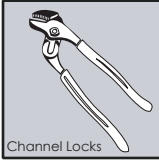
# PHYLIRICH®

Defining Luxury Since 1959

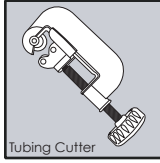
**8090536RC** CORNER VALVES

**80951PHY** THREE HANDLE TUB & SHOWER VALVE

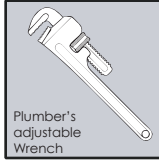
**RECOMMENDED TOOLS & MATERIALS** Most of the procedures require the use of common tools & materials, which are available from hardware & plumbing supply stores. It is essential that the tools and materials be on hand before work.



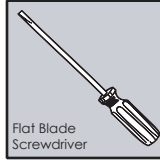
Channel Locks



Tubing Cutter



Plumber's adjustable Wrench



Flat Blade Screwdriver



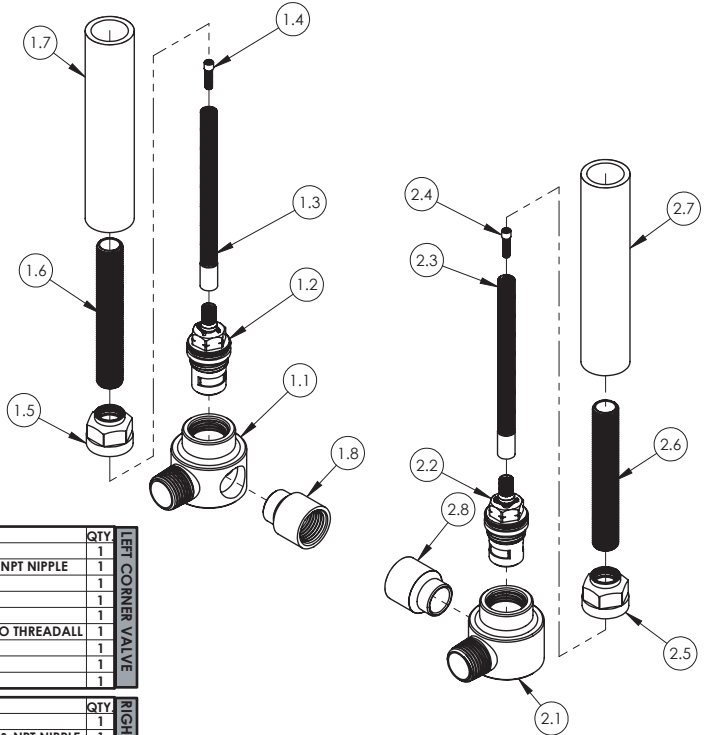
Teflon Tape

**WE RECOMMEND THAT ALL PLUMBING PRODUCTS BE INSTALLED BY LICENSED PROFESSIONAL**

## PARTS BREAKDOWN

### ■ 8090536RC Corner Valves

(If you have purchased the 8090536RC )



#### 8090536RC CORNER VALVES

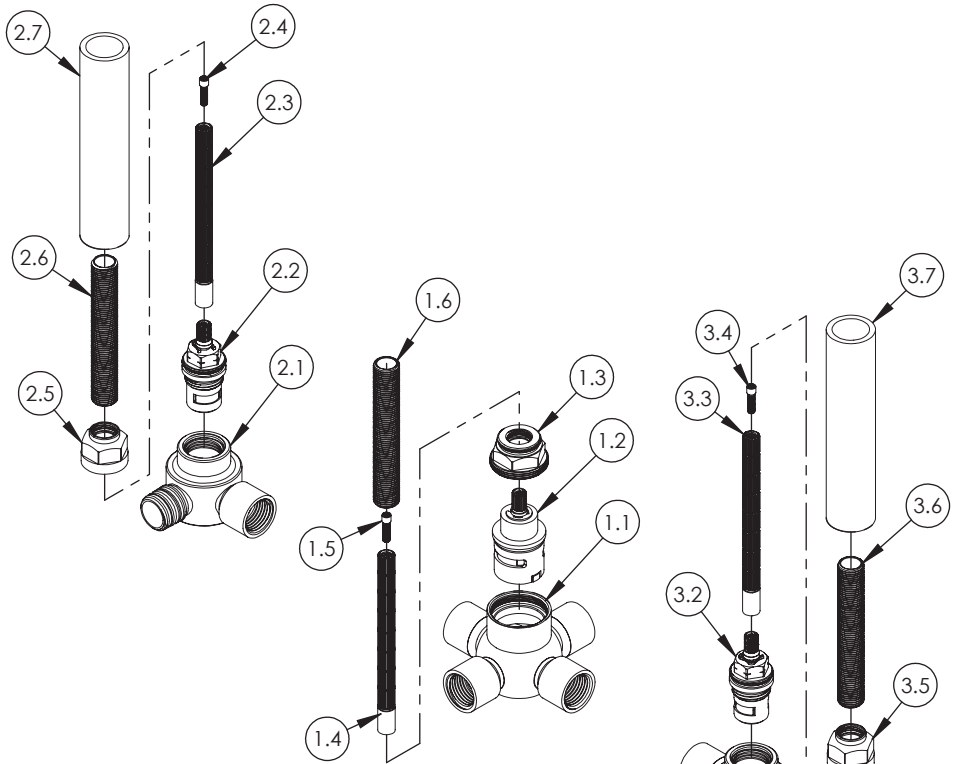
#	PART #	DESCRIPTION	QTY	LEFT CORNER VALVE
1	1-045	CORNER VALVE HOT 16 PT	1	1
1.1	10088	VALVE, INWALL LEFT 1/2" G & NPT NIPPLE	1	1
1.2	10211	CARTRIDGE VALVE HOT	1	1
1.3	10054	STEM EXTENSION	1	1
1.4	92157	SCREW, SMALL	1	1
1.5	10058	NUT, ADAPTOR CARTRIDGE TO THREADALL	1	1
1.6	10209	SHANK, NIPPLE THREADALL	1	1
1.7	10324	MUD GUARD PVC	1	1
1.8	10069	NIPPLE, 1/2" NPT FEMALE	1	1

#	PART #	DESCRIPTION	QTY	RIGHT CORNER VALVE
2	1-046	CORNER VALVE COLD 16 PT	1	1
2.1	10089	VALVE, INWALL RIGHT 1/2" G & NPT NIPPLE	1	1
2.2	10210	CARTRIDGE VALVE COLD	1	1
2.3	10054	STEM EXTENSION	1	1
2.4	92157	SCREW, SMALL	1	1
2.5	10058	NUT, ADAPTOR CARTRIDGE TO THREADALL	1	1
2.6	10209	SHANK, NIPPLE THREADALL	1	1
2.7	10324	MUD GUARD PVC	1	1
2.8	10069	NIPPLE, 1/2" NPT FEMALE	1	1

# PARTS BREAKDOWN

## ■ 80951PHY Three Handle Tub & Shower Valve w/ Diverter

(If you have purchased the 80951PHY)



### 80951PHY THREE HANDLE TUB & SHOWER VALVE

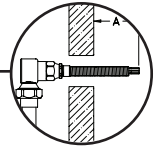
#	PART #	DESCRIPTION	QTY
1	1-019	INWALL DIVERTER, 4 PORT	1
1.1	2-036	DIVERTER BODY, 2 INS, 2 OUTS	1
1.2	10422	CARTRIDGE	1
1.3	10004	NUT, TOP BODY DIVERTER	1
1.4	10054	STEM EXTENSION, 20 PT.	1
1.5	92157	SCREW	1
1.6	10209	SHANK, NIPPLE THREADALL	1

#	PART #	DESCRIPTION	QTY
2	1-045	CORNER VALVE HOT	1
2.1	2-143	INWALL ROUGH VALVE (HOT)	1
2.2	10211	CARTRIDGE HOT	1
2.3	10054	STEM EXTENSION, 20 PT.	1
2.4	92157	SCREW	1
2.5	10058	NUT, ADAPTOR CART. TO THREADALL	1
2.6	10209	SHANK, NIPPLE THREADALL	1
2.7	10324	MUD GUARD PVC	1

#	PART #	DESCRIPTION	QTY
3	1-046	CORNER VALVE COLD	1
3.1	2-144	INWALL ROUGH VALVE (COLD)	1
3.2	10210	CARTRIDGE COLD	1
3.3	10054	STEM EXTENSION, 20 PT.	1
3.4	92157	SCREW	1
3.5	10058	NUT, ADAPTOR CART. TO THREADALL	1
3.6	10209	SHANK, NIPPLE THREADALL	1
3.7	10324	MUD GUARD PVC	1

Before starting the installation determine first the **rough-in specs** to determine the proper location of the valve.

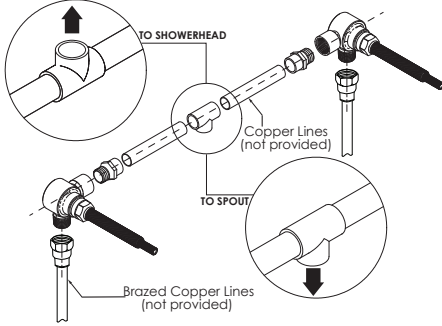
**See back of page for rough-in specs**



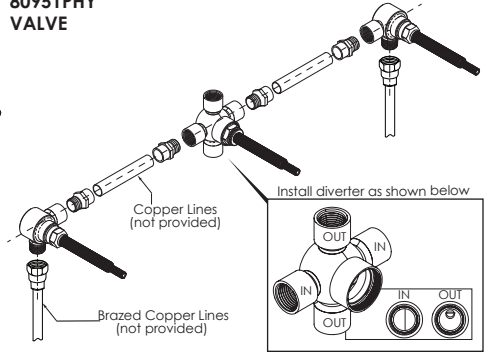
**PART 1 Connection of Copper tubing/lines**

Once the proper location has been determined secure the **valve**. Connect the **Copper lines** to the hot and cold supplies.

**8090536RC VALVE**



**80951PHY VALVE**

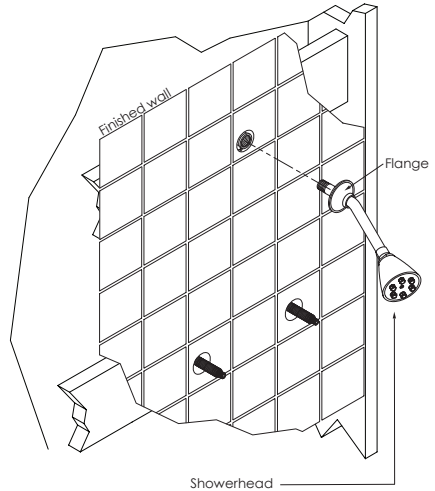
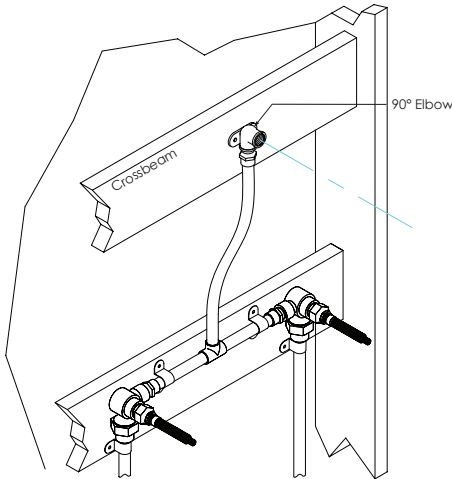


**NOTE: COPPER LINES NOT PROVIDED, CENTER TO CENTER TO BE PROVIDED BY THE CUSTOMER**

**Follow the direction for the continuation of the install guide:**  
 For Shower install go to **Part 2A** ; For Wall lav/Tub Install go to **Part 2B** ; For 80951PHY install go to **part 3**

**PART 2A Wall Shower Installation**

Determine the proper **location** of the showerhead. Install a **crossbeam** and secure a **1/2" brass 90° elbow**. Connect elbow to the valve using copper lines. Wall is **ready to be closed**.



Once **finished wall** is installed, attach **Showerhead** to the brass **elbow**. Slide flange against wall.

**NOTE:** Check all connections for leaks and flush all lines.

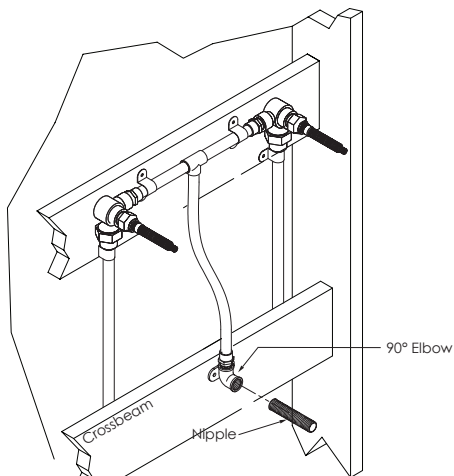
**PROCEED TO PART 4 (Escutcheons & Handles)**

## •PART 2B Wall Lav/ Tub Installation

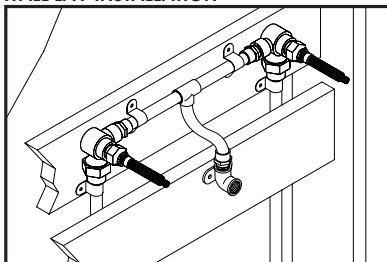
Determine the proper location for the Tub spout. (**NOTE: the outlet of the spout must be minimum of 2" above the floodplane of the tub**). Install a crossbeam and secure a 1/2" brass 90° elbow. Connect elbow to the valve using copper lines. Connect a 1/2" brass nipple to elbow to accept the spout. **Wall is ready to be closed.**

**NOTE: 1/2" NIPPLE NOT PROVIDED**

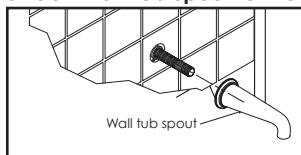
### WALL TUB INSTALLATION



### WALL LAV INSTALLATION



Once **finished wall** is installed, attach **Wall Tub Spout** to the brass nipple.



**NOTE: Check all connections for leaks and flush all lines.**

**PROCEED TO PART 4 (Escutcheons & Handles)**

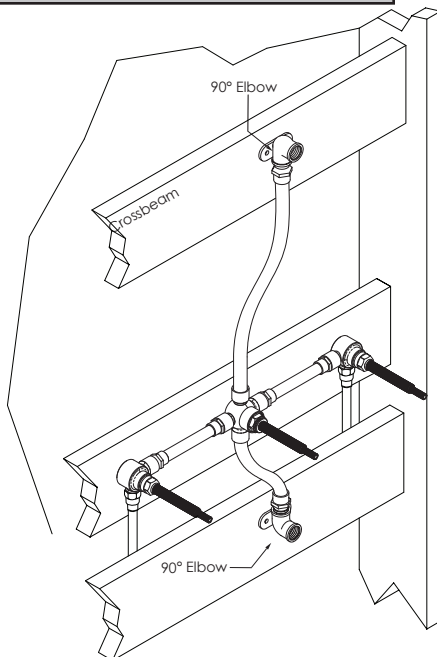
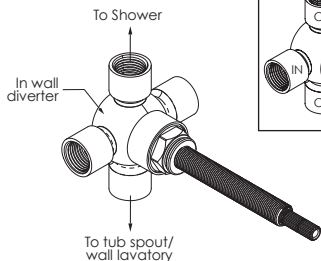
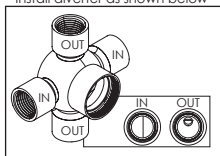
## •PART 3 80951PHY

Determine the proper location for Shower and the Tub spout. (**NOTE: the outlet of the spout must be minimum of 2" above the floodplane of the tub**).

Install a crossbeam and secure a 1/2" brass 90° elbow. Connect elbows to the valve using copper lines. Connect a 1/2" brass nipple to elbow to accept the spout.

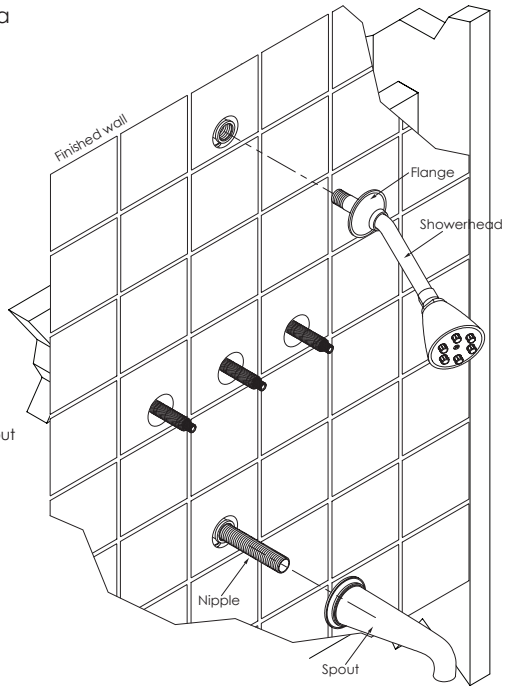
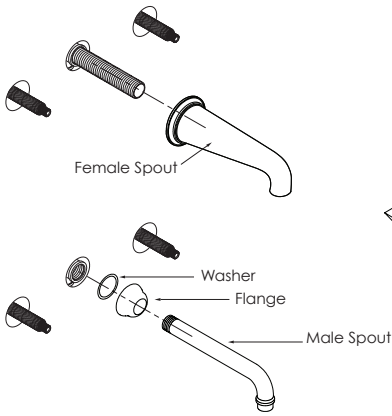
**Wall is ready to be closed.**

Install diverter as shown below



**CONTINUE ON TO NEXT PAGE**

Before installing, know first if you are installing a **female spout** or a **male spout**.



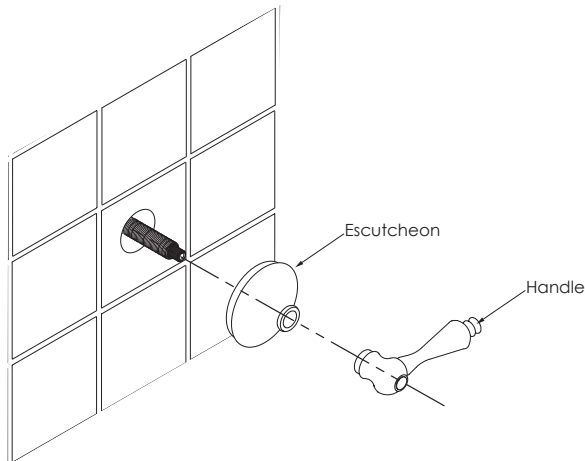
Once **finished wall** is installed, attach showerhead to the brass elbow & attach the **nipple** for the **wall tub spout**.

**NOTE: Nipple not provided**

**PROCEED TO PART 4 (Escutcheons & Handles)**

#### **PART 4 (Escutcheons & Handles)**

Once the **finished wall** is in place and the necessary installation finished, attach the **escutcheons and handles** to the stem assemblies.

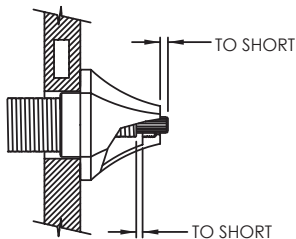


**Proceed to the next step on how to fix trimming issues if applicable.**

## -TRIM OUT

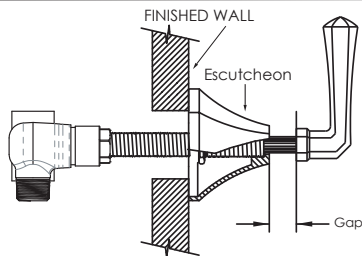
### INSTALLED TOO DEEP

If the valve is **installed too deep** behind the wall, **extension stems** are available. Please contact your local distributor to order part number **2-289 6 1/2"**



### INSTALLED TOO FAR OUT

If the valve is **installed too far out of the wall**, the **stems and nipples** may be trimmed. To determine amount to be cut measure the gap between the **escutcheon and the wall** and/or the gap between the **handle and escutcheon**.



Secure handles using **setscrews** or 1/4-20 machine screws provided.

**Your faucet is now ready to use.**

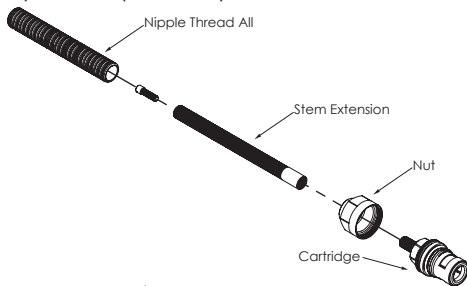
**Note: If you ordered/ purchased a replacement for the cartridge follow the instructions below.**

## - ADJUSTABLE CARTRIDGE KIT 2-197 (1/2" COLD) & 2-198 (1/2" HOT)

**Warning: Before removing any plumbing make sure that the water line has been shut off**

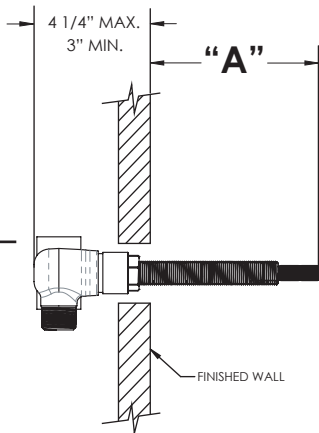
### HANDLE ADJUSTMENT

1. Remove any existing cartridge & make sure that the **valve is free from any debris**.
2. Install new **cartridge**.
3. Rotate handle to desired **"off" position (3 o'clock or 9 o'clock)**.
4. Remove handle and use a deep socket wrench **(12-14 ft-lb RECOMMENDED)** to secure the adjustment nut **DO NOT OVER TIGHTEN**
5. If the handle is heavy & starts to droop use a strap wrench on the **threaded nipple as needed**
6. **Reinstall trim & handle**



## ROUGH-IN SPECIFICATIONS

See Page 8 for full trim specifications



## Rough in specifications for wall lavatory tub sets

### All Phylrich Doralfe valve installations must follow the measurement for "A" listed below

Please consult the trim number for correct rough in dimension

<b>PHYLIRICH PROD#</b>	<b>Rough In</b>	<b>PHYLIRICH PROD#</b>	<b>Rough In</b>	<b>PHYLIRICH PROD#</b>	<b>Rough In</b>
WL101	2 1/4"	WL180	2 7/8"	WL338B	2 1/2"
WL104	2 3/4"	WL181	2 7/8"	WL338C	2 1/2"
WL105	2 3/4"	WL234	2 1/2"	WL338D	2 1/2"
WL123	2 7/8"	WL240	3"	WL338F	2 1/2"
WL137	2 3/8"	WL241	3"	WL361	2 3/8"
WL137SF	2 3/8"	WL242	3"	DWL100	2 1/4"
WL141	2 3/8"	WL243	3"	DWL102	2 1/4"
WL144	2 1/4"	WL244	3"	DWL130	2 1/4"
WL158A	2 1/4"	WL270	2"	DWL134	2 1/4"
WL158B	2 1/4"	WL271	2"	DWL137	2 1/4"
WL158C	2 1/4"	WL272	2"	DWL205	2 3/4"
WL158D	2 1/4"	WL273	2"	DWL206	2 3/4"
WL170	2 1/2"	WL274	2"		
WL171	2 1/2"	WL338A	2 1/2"		

## Rough in specifications for wall tub sets

### All Phylrich valve installations must follow the measurement for "A" listed below

Please consult the trim number for correct rough in dimension

<b>PHYLIRICH PROD#</b>	<b>Rough In</b>	<b>PHYLIRICH PROD#</b>	<b>Rough In</b>	<b>PHYLIRICH PROD#</b>	<b>Rough In</b>
K1101	2 1/4"	K1171	2 1/2"	K1273	2"
K1104	2 3/4"	K1180	2 7/8"	K1274	2"
K1105	2 3/4"	K1181	2 7/8"	K1338A	2 1/2"
K1123	2 7/8"	K1183	2 7/8"	K1338B	2 1/2"
K1137	2 3/8"	K1184	2 7/8"	K1338C	2 1/2"
K1137SF	2 3/8"	K1234	2 1/2"	K1338D	2 1/2"
K1141	2 3/8"	K1240	3"	K1338F	2 1/2"
K1144	2 1/4"	K1241	3"	K1361	2 3/8"
K1158A	2 1/4"	K1242	3"	D1100	2 1/4"
K1158B	2 1/4"	K1243	3"	D1102	2 1/4"
K1158C	2 1/4"	K1244	3"	D1130	2 1/4"
K1158D	2 1/4"	K1270	2"	D1134	2 1/4"
K1158F	2 1/4"	K1271	2"	D1137	2 1/4"
K1170	2 1/2"	K1272	2"	D1205	2 3/4"
				D1206	2 3/4"

## Rough in specifications for two handle shower sets

<b>PHYLIRICH PROD#</b>	<b>Rough In</b>	<b>PHYLIRICH PROD#</b>	<b>Rough In</b>	<b>PHYLIRICH PROD#</b>	<b>Rough In</b>
K3101	2 1/4"	K3170	2 1/2"	K3272	2"
K3104	2 3/4"	K3171	2 1/2"	K3273	2"
K3105	2 3/4"	K3180	2 7/8"	K3274	2"
K3109	2 1/2"	K3181	2 7/8"	K3338A	2 1/2"
K3123	2 7/8"	K3183	2 7/8"	K3338B	2 1/2"
K3137	2 3/8"	K3184	2 7/8"	K3338C	2 1/2"
K3137SF	2 3/8"	K3234	2 1/2"	K3338D	2 1/2"
K3141	2 3/8"	K3240	3"	K3338F	2 1/2"
K3144	2 1/4"	K3241	3"	K3361	2 3/8"
K3158A	2 1/4"	K3242	3"	D3100	2 1/4"
K3158B	2 1/4"	K3243	3"	D3102	2 1/4"
K3158C	2 1/4"	K3244	3"	D3130	2 1/4"
K3158D	2 1/4"	K3270	2"	D3134	2 1/4"
K3158F	2 1/4"	K3271	2"	D3137	2 1/4"
				D3205	2 3/4"
				D3206	2 3/4"